



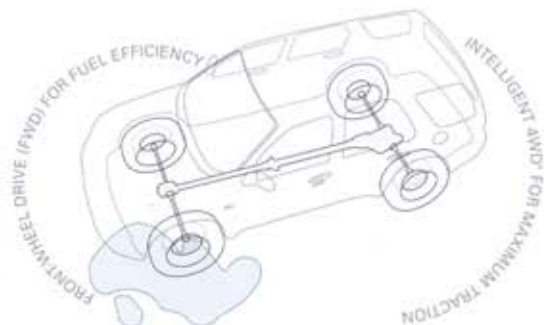
MARINER
2005





INTRODUCING MARINER. FROM MERCURY. Designed to complement your unique sense of style and love of the finer things, the all-new 2005 Mercury Mariner exudes a contemporary sophistication that sets it apart from other small SUVs. With its chic, monochromatic exterior and expressive, well-appointed interior, Mariner is sure to attract admiring glances. And you're sure to love every minute. Ideal proportions, combined with its available 200-hp 3.0L Duratec V-6 engine, make Mariner one highly maneuverable, incredibly fun-to-drive SUV. Power rack-and-pinion steering and a 4-wheel fully independent suspension give Mariner ride and handling that truly shines in the curves and corners. Clearly, the time to discover Mercury – and the all-new 2005 Mariner – is now.

Above: Mariner Premier shown with striking two-tone Black leather-trimmed seats with Light Parchment Preferred Suede® inserts. Shown on cover: Mariner Premier in Black.



Intelligent 4WD System From snow-covered city streets to rain-soaked highways and muddy country lanes, Mariner's available Intelligent 4WD* offers convenient, all-weather confidence. The system automatically calculates how much torque to send to the rear wheels in order to maximize traction at all times. It also senses when you're making a tight turn on dry pavement and distributes the torque appropriately, instead of binding like some other systems. The system also functions in front-wheel drive under normal circumstances, helping achieve better fuel economy. And, of course, it delivers seamless, automatic operation without any need for input from the driver. So you can keep both hands on the wheel next time the weather turns unfriendly, and allow Mariner's Intelligent 4WD* to take care of the details.

*Available on all models.



Multitalented Cargo Area Your next trip to the farmer's market or the "p-a-r-k" is sure to be a success with 29.3 cu. ft. of space behind Mariner's rear seat. Need more? Just fold down the rear seat to open up a full 62.9 cu. ft. of possibilities.



60/40 Split 2nd Row Mariner's rear seat folds to form a smooth load surface, so your roses won't go end-over-end when you stop at a light. To make even more room for cargo, you can also remove the 2nd-row seat cushions.



Storage Compartments Mariner's driver and front-passenger doors feature deep, recessed pockets – perfect for keeping your wallet and other essentials close at hand. You can also tuck items in the rear-cargo-area storage pocket (not shown) to keep them out of the way.



Finely Detailed Mariner is brimming with just the sort of finishing touches you'd expect in a Mercury. Inside, its dramatic color schemes are accented by chrome, satin-aluminum and woodgrain finishes. Outside, even the taillamps get special treatment – framed by satin-aluminum-finish grilles. This progressive blend of polished details simply cannot be found in any other small SUV.

CONVENIENCE

POWERTRAIN/FUNCTIONALITY

- 2.3L DOHC Duratec I-4 engine
- 4-wheel Anti-lock Brake System (ABS)
- 100,000-mile tune-up interval*
- Front-wheel drive

EXTERIOR

- 16" 15-spoke painted aluminum wheels
- Chromed exhaust tip
- Satin-aluminum grille
- Side repeater lamps and fog lamps

INTERIOR

- Chromed door handles
- Leather-wrapped steering wheel with tilt column and speed control
- Power door locks with child-safety rear door locks
- Power windows with one-touch-down driver's-side feature
- Premium cloth-trimmed seats
- Rear 60/40 split-folding seat
- Removable rear-seat cushion

SAFETY/SECURITY

- Belt-Minder® safety belt reminder
- Personal Safety System™ with dual-stage driver and front-passenger airbags,** driver's-seat position sensor, and crash severity sensor
- Remote keyless-entry system
- SecurILock® passive anti-theft system

AVAILABLE EQUIPMENT

- Dynamic Side-Impact Airbag Package
- Full-size spare wheel/tire (non-matching)
- Rear Cargo Convenience Package
- Roof-rack side rails with crossbars
- Side step bars (running boards)

*Under normal driving conditions with routine fluid and filter changes. **Always wear your safety belt and secure children in the rear seat. †Requires Luxury Enhancement Package. Not available with premium leather-trimmed, heated front bucket seats. ‡Requires roof-rack side rails with crossbars. ††Requires Luxury Enhancement Package. †††Not available with power moonroof option. ‡Colors are representative only. Not all colors are available on all models. Please see your Lincoln Mercury Dealer for color/trim combinations. Preferred Suede is a registered trademark of Milliken & Company. EPA-estimated fuel economy: 2.3L 4x2: 22 mpg city/26 mpg highway and 3.0L 4x4: 18 mpg city/23 mpg highway.

Following the publication of this brochure, certain changes in standard equipment, options, prices and the like, or product delays may have occurred which would not be included in these pages. Your Lincoln Mercury Dealer is your best source for up-to-date information. Lincoln Mercury reserves the right to change product specifications at any time without incurring obligations. Options shown or described in this brochure are available at extra cost and may be offered only in combination with other options or subject to additional ordering requirements or limitations.

LUXURY

Includes the Convenience features, plus:

POWERTRAIN/FUNCTIONALITY

- 3.0L DOHC Duratec V-6 engine
- Power 4-wheel disc brakes (4WD)

EXTERIOR

- Privacy glass

AVAILABLE EQUIPMENT

- Class II Trailer Tow Package
- Comfort Package† – Automatic headlamps, dual illuminated visor vanity mirrors, auto-dimming rearview mirror, overhead console with dual storage bins, and message center with compass display
- Luxury Enhancement Package – 6-disc in-dash CD changer, power driver's seat, and perimeter anti-theft alarm
- Power moonroof with sun shade and mini-overhead console††
- Premium leather-trimmed, heated front bucket seats‡

PREMIER

Includes the Luxury features, plus:

EXTERIOR

- 16" 15-spoke machined-aluminum wheels
- Automatic headlamps
- Dual power, heated sideview mirrors with manual-fold feature

INTERIOR

- Auto-dimming rearview mirror
- MACH® Audiophile Sound System with AM/FM stereo/6-disc in-dash CD changer and 7 speakers
- Message center with compass display
- Overhead console with sunglasses storage and garage door opener storage‡‡
- Premium leather-trimmed, heated front bucket seats with Preferred Suede® inserts, 6-way power driver's seat and manual lumbar support

SAFETY/SECURITY

- Perimeter anti-theft alarm

AVAILABLE EQUIPMENT

- Premium leather-trimmed, heated front bucket seats
- Reverse Sensing System

EXTERIOR COLORS*



- 1 Oxford White
- 2 Gold Ash Metallic
- 3 Norseia Blue Metallic
- 4 Charcoal Beige Metallic
- 5 Vivid Red Metallic
- 6 Satellite Silver Metallic
- 7 Silver Metallic
- 8 Dark Shadow Grey Metallic
- 9 Black